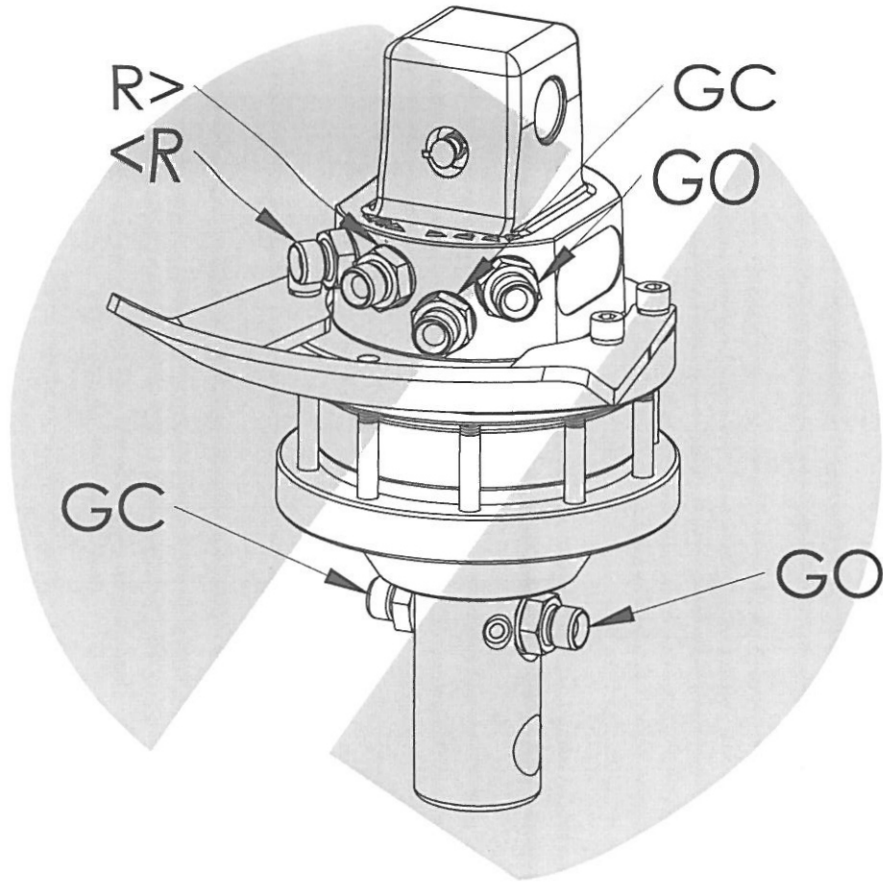
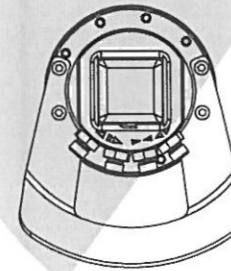
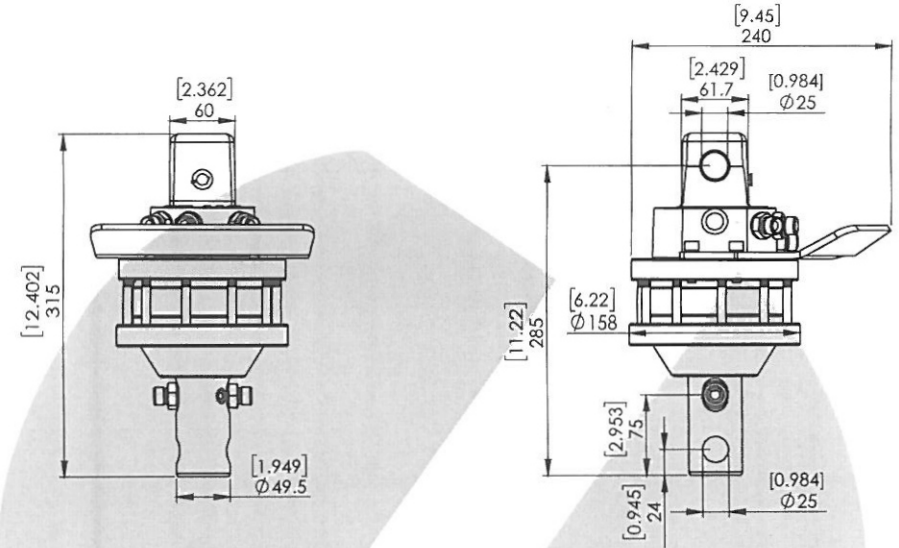


Connections



<R = Clockwise rotation
 >R = Counterclockwise rotation
 GO = Grapple open
 GC = Grapple closed

Dimensions and Technical Specifications



Rotation angle	Unlimited
Max rotation pressure (R)	250 bar
Maximum working pressure with the grapple open (GO)	200 bar
Maximum working pressure with the grapple closed (GC)	300 bar
Capacity	330 cm ³
Torque (250 bar)	900 Nm
Maximum axial load (static)	30 kN
Maximum axial load (dynamic)	15 kN
Weight	16 kg
Connections	G3/8"
Stud bolts	M8
Tightening torque	40 Nm
Maximum oil flow	20 lpm